



## **SUBMITTAL**

### **Project**

GSK IT Closets 120055

### **Date**

Friday, October 05, 2012

**FC CU 1,2,4**

**Tag Cover Sheet  
Unit Report  
Certified Drawing  
Performance Report**

## Unit Report For FC CU 1,2,4

Project: ~Untitled7  
Prepared

10/05/2012

By:



### System Parameter

System Quantity: ..... 3  
 Refrigerant Type: ..... R-410A  
 Compressor Type: ..... Scroll  
 Std. Min. Outdoor Temp(Cooling): ..... 55.0 F  
 Std. Max Outdoor Temp (Cooling): ..... 125  
 Metering Device: ..... Use at Outdoor

### Indoor Unit Parameters

Unit Model: ..... 40KM  
 Unit Size: ..... 18,000 Btuh  
 Voltage: ..... 208/230-1-60 V-Ph-Hz

### Outdoor Unit Parameters

Unit Quantity: ..... 1  
 Unit Model: ..... 38HDF  
 Unit Size: ..... 18,000 Btuh  
 Voltage: ..... 208/230-1-60 V-Ph-Hz

### Indoor Unit 1 Dimensions and Weight

Unit Length: ..... 1' 11"  
 Unit Width: ..... 1' 11"  
 Unit Height: ..... 12"  
 Unit Operating Weight: ..... 49 lb

### Outdoor Unit Dimensions and Weight

Unit Length: ..... 3' 1"  
 Unit Width: ..... 1' 5"  
 Unit Height: ..... 2' 1"  
 Unit Operating Weight: ..... 166 lb

### Warranty Information

**NOTE: Please see Price Pages for explanation of policies and ordering methods.**

### Ordering Information

Part Number	Description	Quantity
<b>Base Unit - Indoor</b>		
40KMC018---3		3
<b>Outdoor Unit</b>		
38HDF018---3		3
<b>Accessories</b>		
40KMC9005	Grille	3
53DS-900---118	Condensate Pump 208/230V	3
53DS-900---086	Low Ambient Control	3
KAACH1401AAA	Crankcase Heater	3
KAAWS0101AAA	Winter Start Control	3
53DS-900---070	Wind Baffle	3
33MC-URC	Wire Room Control	3

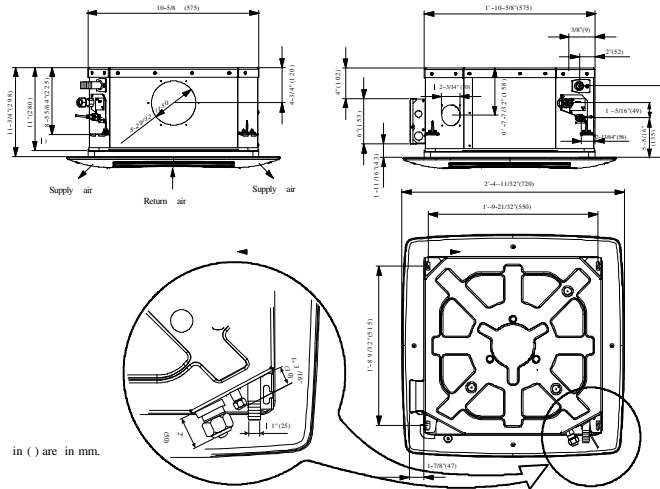
# Certified Drawing for FC CU 1,2,4

Project: ~Untitled7  
Prepared By:

10/05/2012  
09:03AM

### UNIT DIMENSIONS --- INDOOR MODEL

UNIT SIZE	INDOOR MODEL	WIDTH (IN.)	HEIGHT (IN.)	DEPTH (IN.)	WEIGHT (LB)
018	40KMC018-----3	22	12	22	49

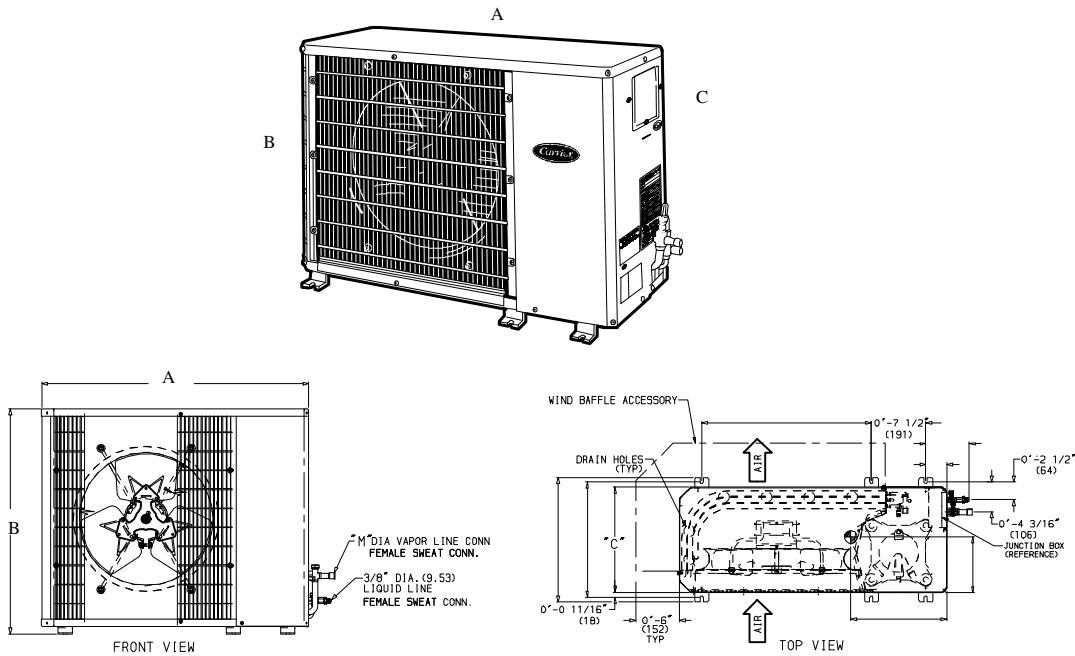


NOTE: Dimensions in ( ) are in mm.

### 40KMC018 UNIT DIMENSIONS

### UNIT DIMENSIONS --- OUTDOOR MODEL

UNIT SIZE	OUTDOOR MODEL	WIDTH (IN.)	HEIGHT (IN.)	DEPTH (IN.)	WEIGHT (LB)
		A	B	C	
18	38HDF018-----3	36---15/16	25---1/8	14---9/16	167

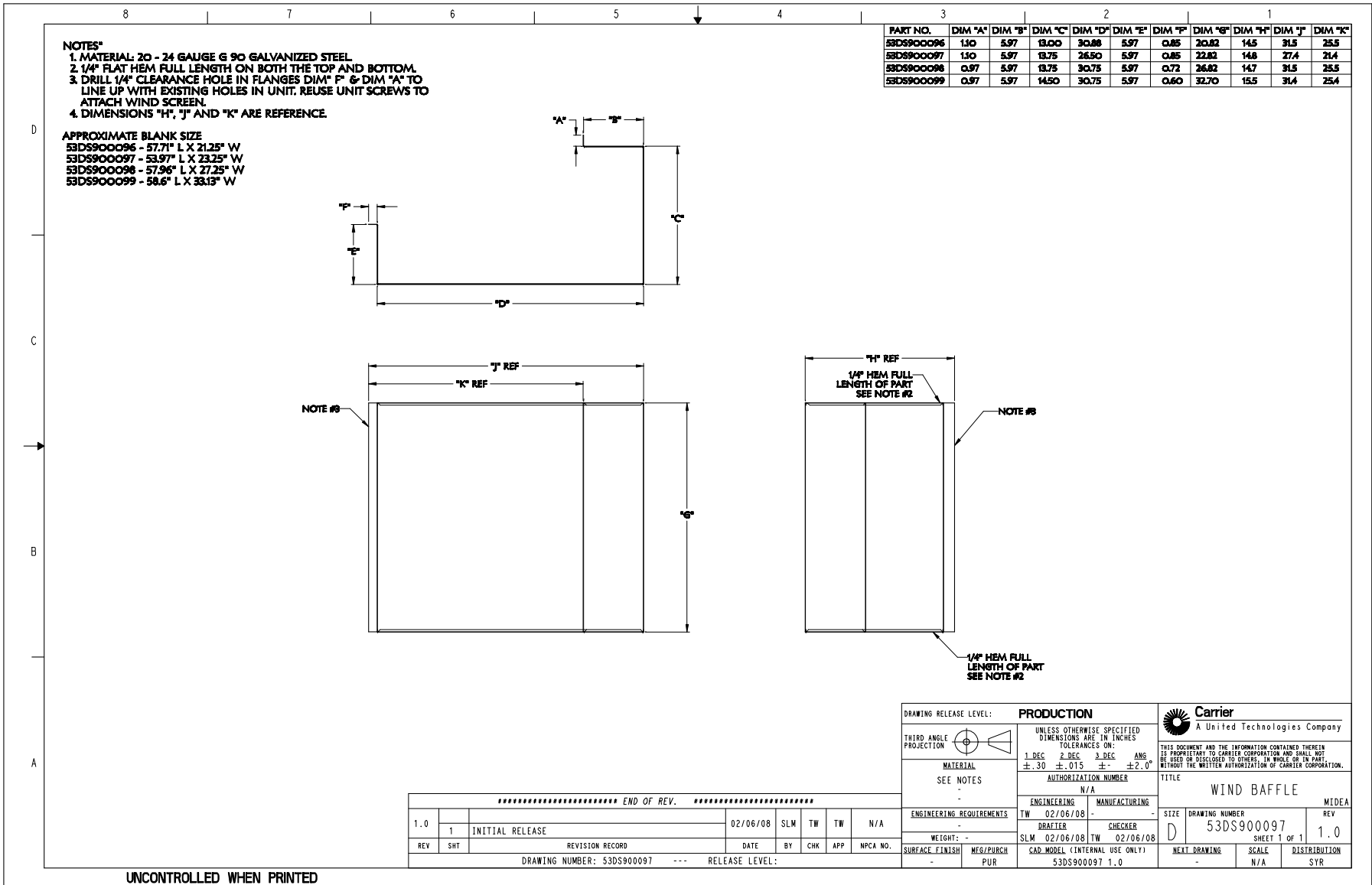


### 38HDF UNIT DIMENSIONS

# Certified Drawing for FC CU 1,2,4

Project: ~Untitled7  
Prepared By:

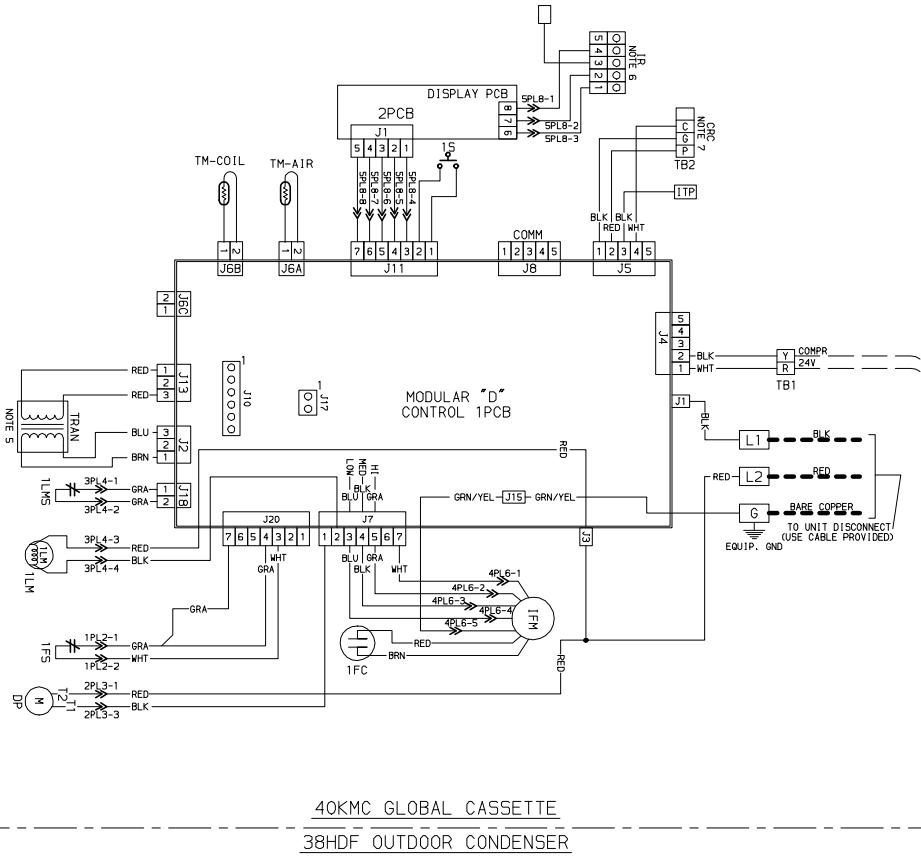
10/05/2012  
09:03AM



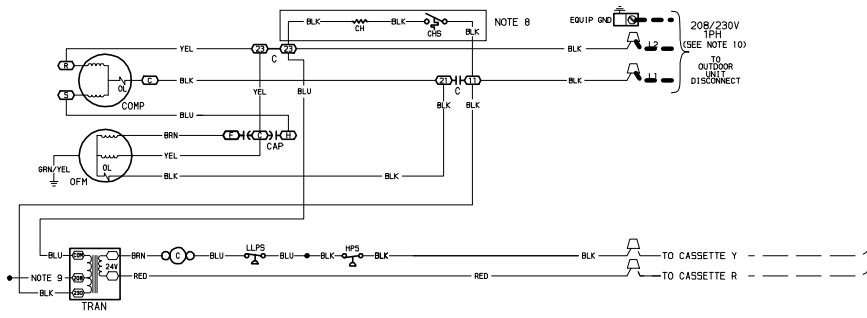
# Certified Drawing for FC CU 1,2,4

Project: ~Untitled7  
Prepared By:

10/05/2012  
09:03AM



40KMC GLOBAL CASSETTE  
38HDF OUTDOOR CONDENSER



**LEGEND**

- |             |                            |      |   |
|-------------|----------------------------|------|---|
| C           | CONTACTOR                  | 1PCB | MAIN CONTROL PRINTED CIRCUIT BOARD      |
| CAP         | CAPACITOR                  | 2PCB | DISPLAY BOARD                           |
| CH          | CRANKCASE HEATER           | 3PCB | PRINTED CIRCUIT BOARD FOR ELECTRIC HEAT |
| COMP        | COMPRESSOR                 | RVS  | REVERSING VALVE SOLENOID                |
| CHS         | CRANKCASE HEATER SWITCH    | S    | EMERGENCY                               |
| DTB         | DEFROST THERMOSTAT         | ST   | SAFETY THERMOSTAT                       |
| DF          | DEFROST                    | TB   | TERMINAL BLOCK                          |
| E-HEAT      | ELECTRIC HEATER            | TM   | SENSOR                                  |
| FC          | FAN CAPACITOR              | TRAN | TRANSFORMER                             |
| EQUIP. GND. | EQUIPMENT GROUND           |      |   |
| FS          | FLOAT SWITCH               |      |   |
| GND         | GROUND                     |      |   |
| HPS         | HIGH PRESSURE SWITCH       |      |   |
| IFM         | INDOOR FAN MOTOR           |      |   |
| ITP         | INDOOR TEST POINT          |      |   |
| LPS         | LIQUID LOW PRESSURE SWITCH |      |   |
| LM          | LOWER MOTOR                |      |   |
| LMS         | LOWER MICRO SWITCH         |      |   |
| LS          | LIMIT SWITCH               |      |   |
| OAS         | OUTDOOR AIR SENSOR         |      |   |
| OFM         | OUTDOOR FAN MOTOR          |      |   |
| OFM         | OUTDOOR FAN RELAY          |      |   |
| OL          | OVERLOAD                   |      |   |

**NOTES**

1. IF ANY OF THE ORIGINAL WIRE FURNISHED MUST BE REPLACED, IT MUST BE REPLACED WITH TYPE 60°C WIRE OR ITS EQUIVALENT.
2. WIRE IN ACCORDANCE WITH NATIONAL ELECTRICAL CODE (N.E.C.) AND LOCAL CODES.
3. COMPRESSOR AND FAN MOTORS ARE PROTECTED BY INTERNAL THERMAL OVERLOADS.
4. COMPRESSOR AND FAN MOTORS ARE PROTECTED BY INTERNAL THERMAL OVERLOADS.
5. INDOOR UNIT TRANSFORMER HAS INTERNAL 2A THERMAL FUSE ON THE PRIMARY SIDE.
6. INFRARED (I.R.) CONNECTION TO BE INSERTED ON "IR" REPLACE THE ACTUAL FACTORY INSTALLED "CRC" CONNECTOR FOR I.R. OPTION.
7. TERMINAL STRIP FOR CARRIER ROOM CONTROLLER (CRC) CONNECTION.
8. COMPRESSOR CRANKCASE HEATER INSTALLED ON 380R035, AND 380R030.
9. OUTDOOR UNIT TRANSFORMER IS FACTORY WIRE FOR 230V. FOR 208V MOVE THE BLACK WIRE TO THE 208V TAP.
10. USE MINIMUM 60°C WIRE FOR THE FIELD POWER WIRING.

THERMISTOR EQUIVALENCE		
TEMPERATURE		RESISTANCE
* F	* C	Ω
95	35	6,500
72	22	11,400
32	0	32,500
ALL THERMISTORS ARE IDENTICAL		

40KMC /38HDFCOOLINGONLY SYSTEM WIRING DIAGRAM

50057

# Performance Summary For FC CU 1,2,4

Project: ~Untitled7  
Prepared By:

10/05/2012  
09:03AM

## System

Outdoor Unit: ..... 38HDF018---3  
Indoor Unit: ..... 40KMC018---3  
System Quantity: ..... 3  
Altitude: ..... 0.0 ft  
Outdoor Clg Ent Air DB: ..... 95.0 F  
Fan Speed: ..... High  
Indoor CFM: ..... 450.0 CFM  
Indoor Clg Ent Air DB: ..... 80.0 F  
Indoor Clg Ent Air WB: ..... 67.0 F  
Metering Device: ..... Use at Outdoor  
Linear Pipe Length: ..... 0.0 ft  
Vertical Lift: ..... 0.0 ft  
Suction Line Size: ..... 5/8 in.  
Liquid (Mixed Phase) Line Size: ..... 3/8 in.

## System Performance

Net Cooling Capacity: ..... 17.00 MBH  
Sensible Cooling Capacity: ..... 11.80 MBH  
SEER: ..... 13  
EER: ..... 10.9  
Lvg Air DB: ..... 55.72 F  
Lvg Air WB: ..... 54.49 F  
Lvg Enthalpy: ..... 22.85 BTU/lb

## Indoor Acoustics

Indoor Sound Power: ..... 55.0 dB  
Indoor Sound Pressure: ..... 44.0 dB

## Outdoor Acoustics

Outdoor Clg Sound Power: ..... 66.0 dB  
Outdoor Clg Sound Pressure: ..... 55.0 dB

## Electrical Data

### Indoor

Indoor Unit Voltage: ..... 208/230-1-60 V-Ph-Hz  
Indoor MCA: ..... 0.80  
Indoor MOCP: ..... 15  
Fan Motor FLA: ..... 0.55 Amps  
Powered From Outdoor: ..... No

### Outdoor

Outdoor Unit Voltage: ..... 208/230-1-60 V-Ph-Hz  
Outdoor Voltage Range Min: ..... 187 V  
Outdoor Voltage Range Max: ..... 253 V  
Outdoor MCA: ..... 12.1 Amps  
Outdoor MOCP: ..... 20.0  
Total Compressor Power: ..... 1.56 kW  
Compressor RLA: ..... 9.00 Amps  
Compressor LRA: ..... 48.00 Amps

## System Operating Envelope

### Cooling

Max Outdoor DB: ..... 125.0 F  
Min Outdoor DB: ..... 55.0 F  
Max Indoor DB: ..... 90.0 F  
Max Indoor WB: ..... 74.0 F  
Min Indoor DB: ..... 62.0 F  
Min Indoor WB: ..... 56.0 F