



SUBMITTAL

Project

GSK IT Closets 120055

Date

Friday, October 05, 2012

FC CU 3,5,6,7,8

**Tag Cover Sheet
Unit Report
Certified Drawing
Performance Report**

Unit Report For FC CU 3,5,6,7,8

Project: ~Untitled7
Prepared

10/05/2012

By:



System Parameter

System Quantity: 5
 Refrigerant Type: **R-410A**
 Compressor Type: **Scroll**
 Std. Min. Outdoor Temp(Cooling): **55.0** F
 Std. Max Outdoor Temp (Cooling): **125**
 Metering Device: **Use at Outdoor**

Indoor Unit Parameters

Unit Model: **40QN**
 Unit Size: **18,000 Btuh**
 Voltage: **208/230-1-60** V-Ph-Hz

Outdoor Unit Parameters

Unit Quantity: **1**
 Unit Model: **38HDF**
 Unit Size: **24,000 Btuh**
 Voltage: **208/230-1-60** V-Ph-Hz

Indoor Unit 1 Dimensions and Weight

Unit Length: **3' 7"**
 Unit Width: **8"**
 Unit Height: **12"**
 Unit Operating Weight: **31** lb

Outdoor Unit Dimensions and Weight

Unit Length: **3' 1"**
 Unit Width: **1' 5"**
 Unit Height: **2' 7"**
 Unit Operating Weight: **176** lb

Warranty Information

NOTE: Please see Price Pages for explanation of policies and ordering methods.

Ordering Information

Part Number	Description	Quantity
Base Unit - Indoor		
40QNC01824-3		5
Outdoor Unit		
38HDF024---3		5
Accessories		
53DS-900---118	Condensate Pump 208/230V	5
33MC-URC	Wire Room Control	5
53DS-900---086	Low Ambient Control	5
KAACH1401AAA	Crankcase Heater	5
KAAWS0101AAA	Winter Start Control	5
53DS-900---087	Wind Baffle	5

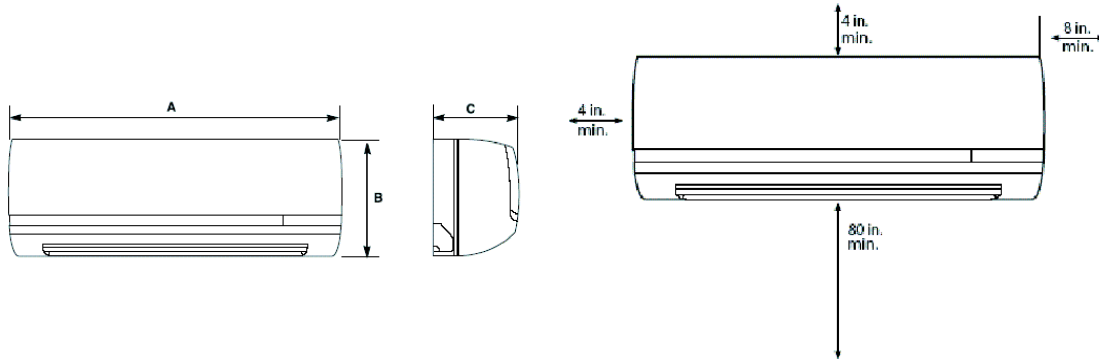
Certified Drawing for FC CU 3,5,6,7,8

Project: ~Untitled7
Prepared By:

10/05/2012
09:04AM

UNIT DIMENSIONS ---INDOOR MODEL

UNIT SIZE	INDOOR MODEL	WIDTH (IN.) A	HEIGHT (IN.) B	DEPTH (IN.) C	WEIGHT (LB)
024	40QNC01824---3	42---1/2	11.6	7.9	31

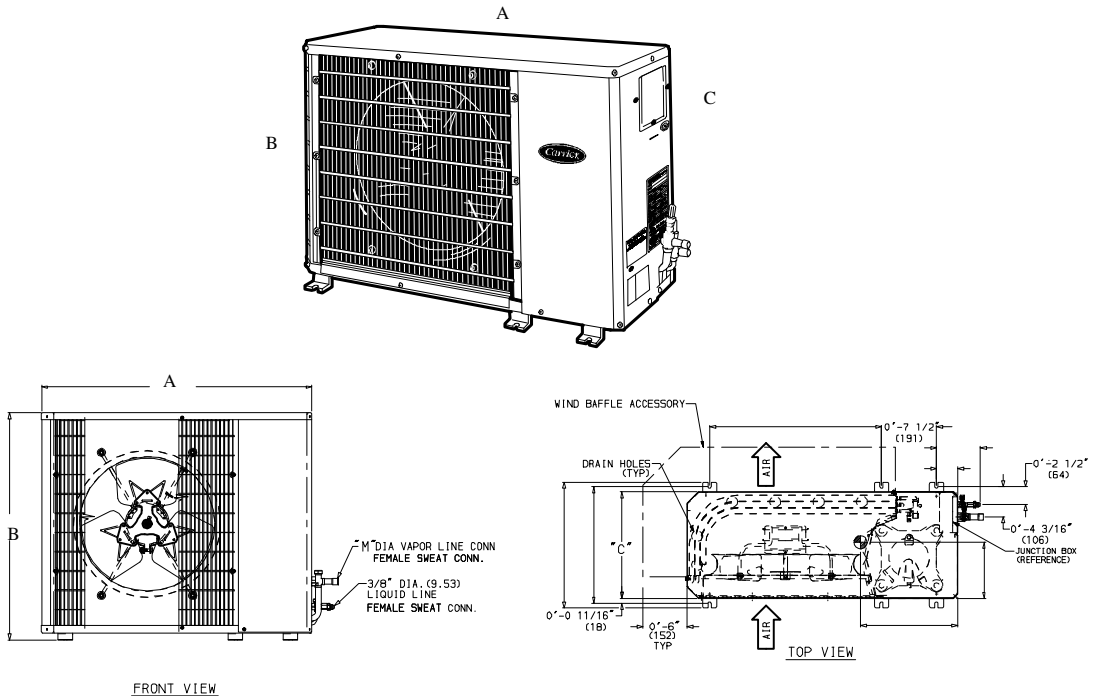


40QNC DIMENSIONS

40QNC CLEARANCE

UNIT DIMENSIONS ---OUTDOOR MODEL

UNIT SIZE	OUTDOOR MODEL	WIDTH (IN.) A	HEIGHT (IN.) B	DEPTH (IN.) C	WEIGHT (LB)
024	38HDF024-----3	36---15/16	31---1/8	14---9/16	176



38HDF DIMENSIONS

Certified Drawing for FC CU 3,5,6,7,8

Project: ~Untitled7
Prepared By:

10/05/2012
09:04AM

87654321

DCBA

NOTES*

1. MATERIAL: 20 - 24 GAUGE G 90 GALVANIZED STEEL.
2. 1/4" FLAT HEM FULL LENGTH ON BOTH THE TOP AND BOTTOM.
3. DRILL 1/4" CLEARANCE HOLE IN FLANGES DIM "F" & DIM "A" TO LINE UP WITH EXISTING HOLES IN UNIT. REUSE UNIT SCREWS TO ATTACH WIND SCREEN.
4. DIMENSIONS "H", "J" AND "K" ARE REFERENCE.

APPROXIMATE BLANK SIZE

53DS900096 - 57.71" L X 21.25" W
 53DS900097 - 53.97" L X 23.25" W
 53DS900098 - 57.96" L X 27.25" W
 53DS900099 - 58.6" L X 33.13" W

PART NO.	DIM "A"	DIM "B"	DIM "C"	DIM "D"	DIM "E"	DIM "F"	DIM "G"	DIM "H"	DIM "J"	DIM "K"
53DS900096	1.10	5.97	13.00	30.88	5.97	0.85	20.82	14.5	31.5	25.5
53DS900097	1.10	5.97	13.75	26.50	5.97	0.85	22.82	14.8	27.4	21.4
53DS900098	0.97	5.97	13.75	30.75	5.97	0.72	26.82	14.7	31.5	25.5
53DS900099	0.97	5.97	14.50	30.75	5.97	0.60	32.70	15.5	31.4	25.4

***** END OF REV. *****						
REV	SHT	REVISION RECORD	DATE	BY	CHK	APPC
1.0	1	INITIAL RELEASE	02/06/08	SLM	TW	N/A

DRAWING NUMBER: 53DS900097 --- RELEASE LEVEL:

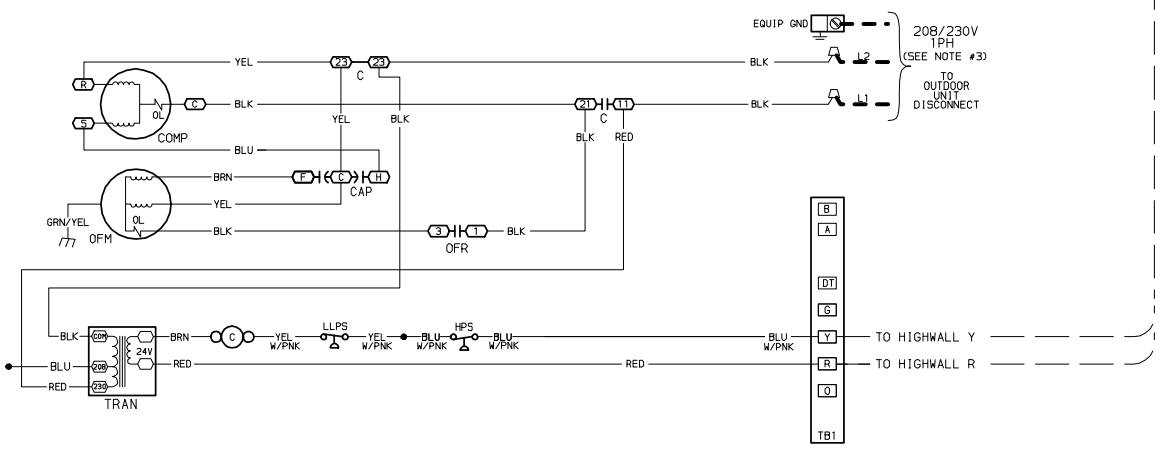
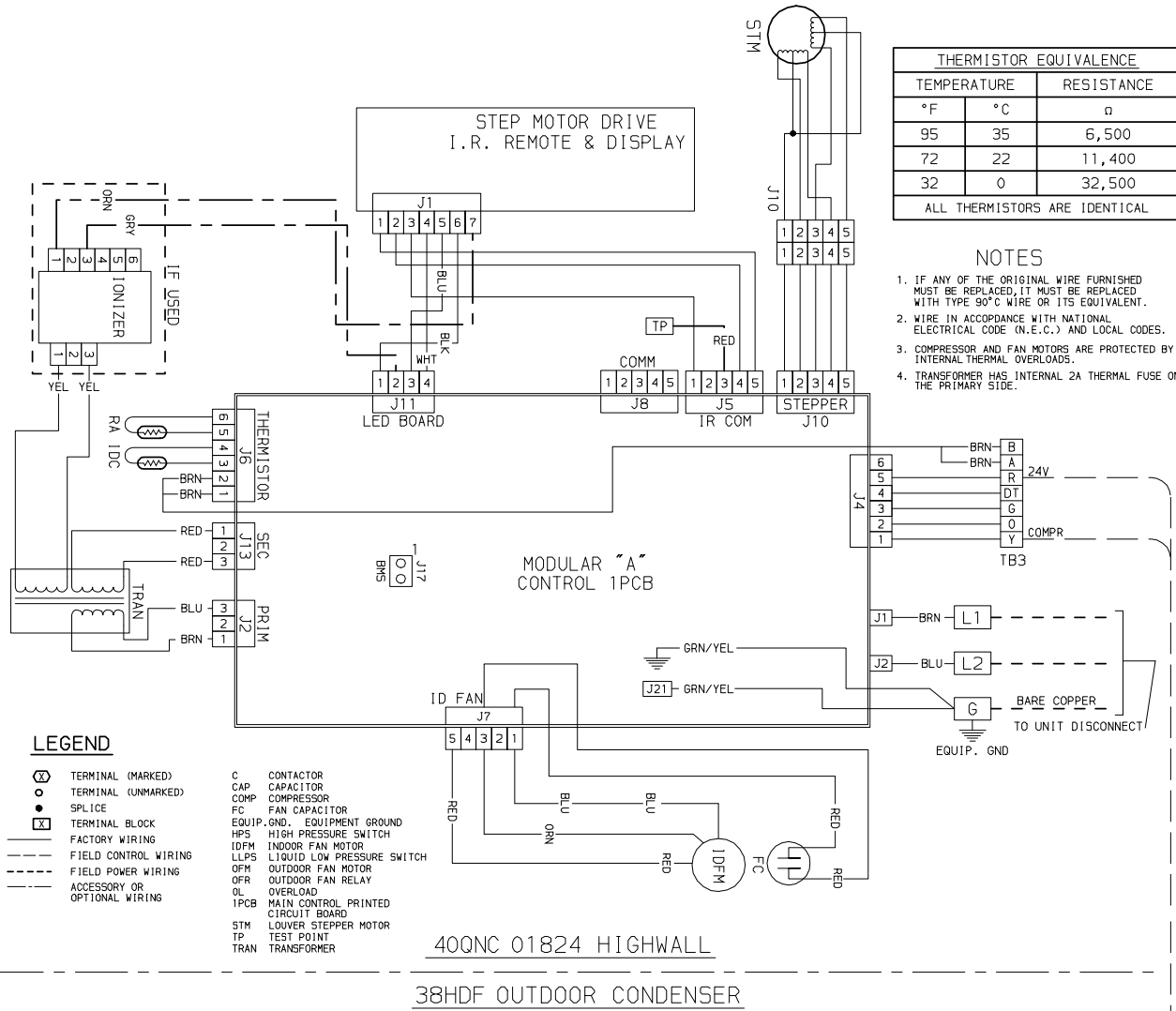
DRAWING RELEASE LEVEL: PRODUCTION		UNLESS OTHERWISE SPECIFIED DIMENSIONS ARE IN INCHES TOLERANCES ON: 1 DEC ±.30 2 DEC ±.015 3 DEC ±. ANG ±2.0°	THIS DOCUMENT AND THE INFORMATION CONTAINED THEREIN IS PROPRIETARY TO CARRIER CORPORATION AND SHALL NOT BE USED OR DISCLOSED TO OTHERS, IN WHOLE OR IN PART WITHOUT THE WRITTEN AUTHORIZATION OF CARRIER CORPORATION.
THIRD ANGLE PROJECTION			
MATERIAL: SEE NOTES		AUTHORIZATION NUMBER: N/A	
ENGINEERING REQUIREMENTS: -		ENGINEERING: TW 02/06/08	MANUFACTURING: -
WEIGHT: -		DRAFTER: SLM 02/06/08	CHECKER: TW 02/06/08
SURFACE FINISH: -		CAD MODEL (INTERNAL USE ONLY): 53DS900097 1.0	
MEG/PURCH: PUR		TITLE: WIND BAFFLE	
		SIZE: D	DRAWING NUMBER: 53DS900097
		SCALE: N/A	REV: 1.0
		NEXT DRAWING: -	SHEET 1 OF 1
		DISTRIBUTION: SYR	

UNCONTROLLED WHEN PRINTED

Certified Drawing for FC CU 3,5,6,7,8

Project: ~Untitled7
Prepared By:

10/05/2012
09:04AM



40QNC01824MATCHED WITH 38HDF TYPICAL WIRING SCHEMATIC

A08367

Performance Summary For FC CU 3,5,6,7,8

Project: ~Untitled7
Prepared By:

10/05/2012
09:04AM

System

Outdoor Unit: 38HDF024---3
Indoor Unit: 40QNC01824-3
System Quantity: 5
Altitude: 0.0 ft
Outdoor Clg Ent Air DB: 95.0 F
Fan Speed: High
Indoor CFM: 645.0 CFM
Indoor Clg Ent Air DB: 80.0 F
Indoor Clg Ent Air WB: 67.0 F
Metering Device: Use at Outdoor
Linear Pipe Length: 0.0 ft
Vertical Lift: 0.0 ft
Suction Line Size: 5/8 in.
Liquid (Mixed Phase) Line Size: 3/8 in.

System Performance

Net Cooling Capacity: 22.00 MBH
Sensible Cooling Capacity: 14.20 MBH
SEER: 13
EER: 12.0
Lvg Air DB: 59.62 F
Lvg Air WB: 56.05 F
Lvg Enthalpy: 23.79 BTU/lb

Indoor Acoustics

Indoor Sound Power: 59.0 dB
Indoor Sound Pressure: 48.0 dB

Outdoor Acoustics

Outdoor Clg Sound Power: 66.0 dB
Outdoor Clg Sound Pressure: 55.0 dB

Electrical Data

Indoor

Indoor Unit Voltage: 208/230-1-60 V-Ph-Hz
Indoor MCA: 0.48
Indoor MOCP: 15
Fan Motor FLA: 0.38 Amps
Powered From Outdoor: No

Outdoor

Outdoor Unit Voltage: 208/230-1-60 V-Ph-Hz
Outdoor Voltage Range Min: 187 V
Outdoor Voltage Range Max: 253 V
Outdoor MCA: 16.8 Amps
Outdoor MOCP: 25.0
Total Compressor Power: 1.83 kW
Compressor RLA: 12.80 Amps
Compressor LRA: 58.30 Amps

System Operating Envelope

Cooling

Max Outdoor DB: 125.0 F
Min Outdoor DB: 55.0 F
Max Indoor DB: 90.0 F
Max Indoor WB: 74.0 F
Min Indoor DB: 62.0 F
Min Indoor WB: 56.0 F